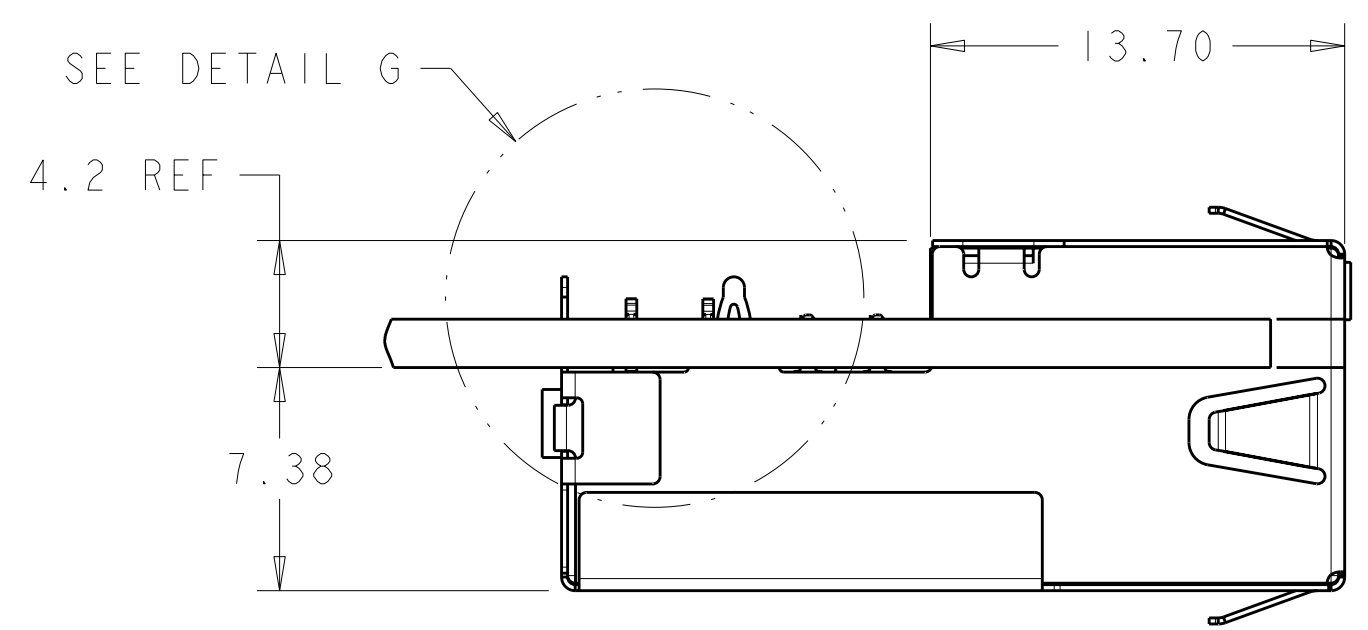
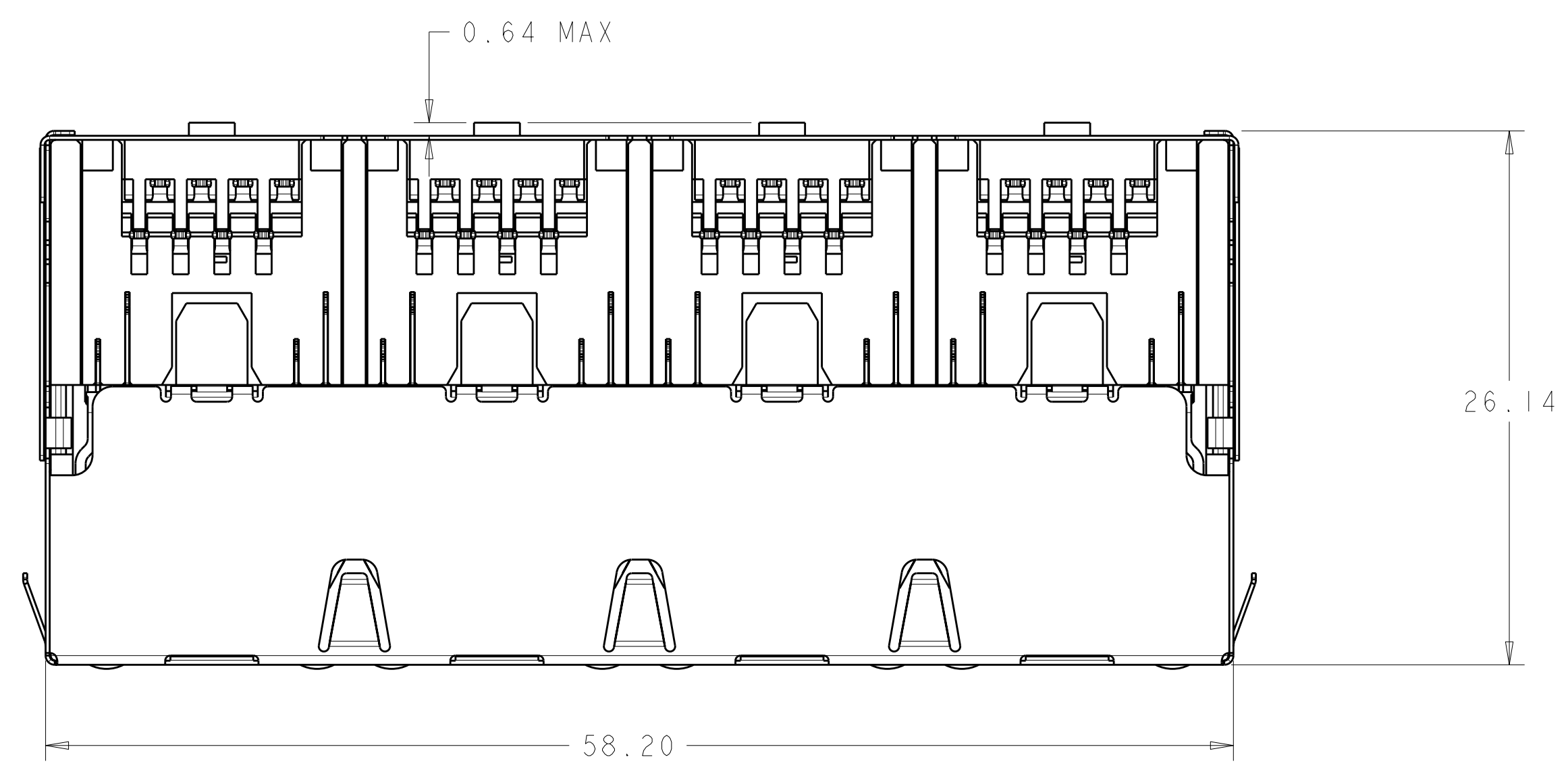
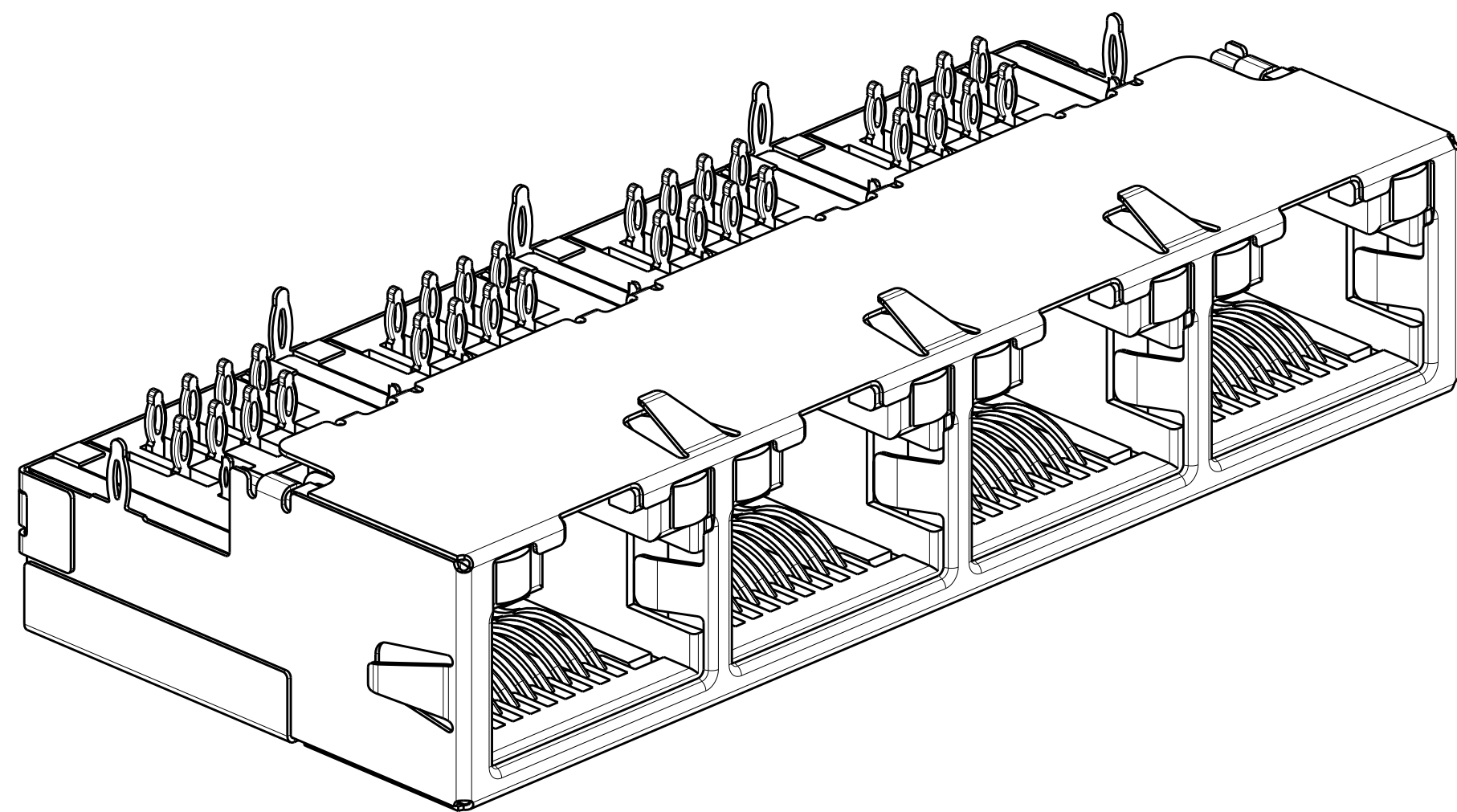
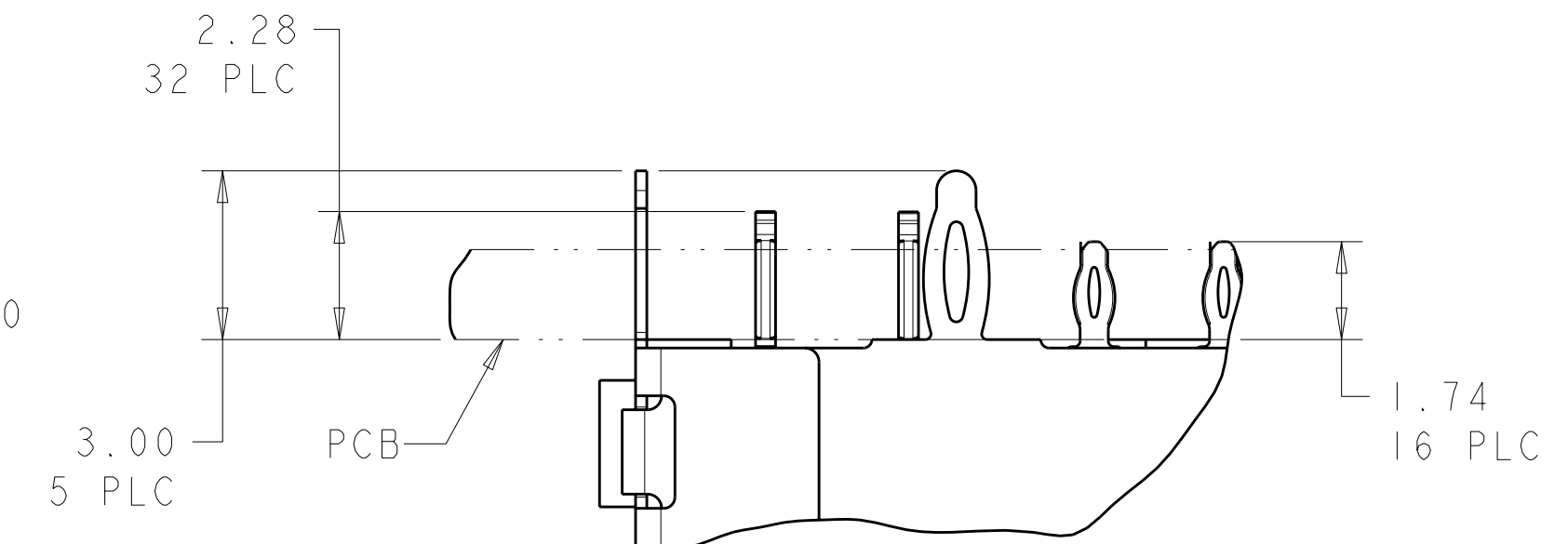
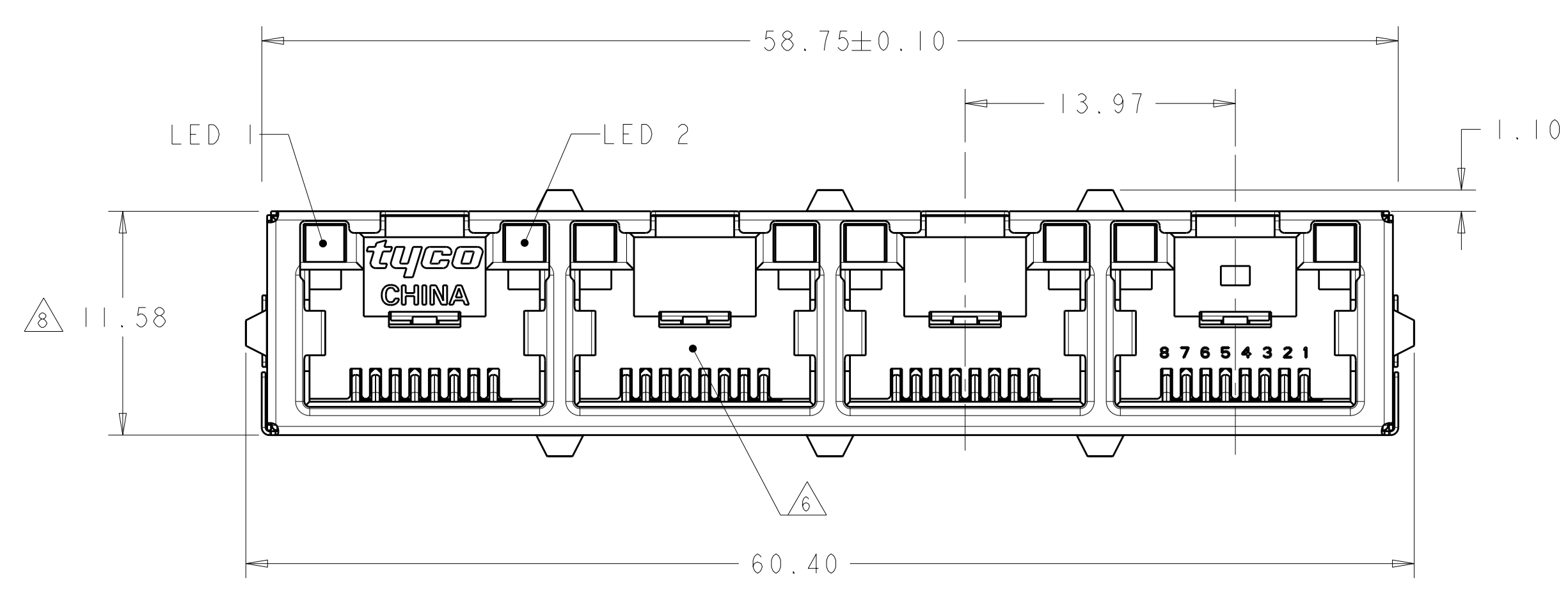


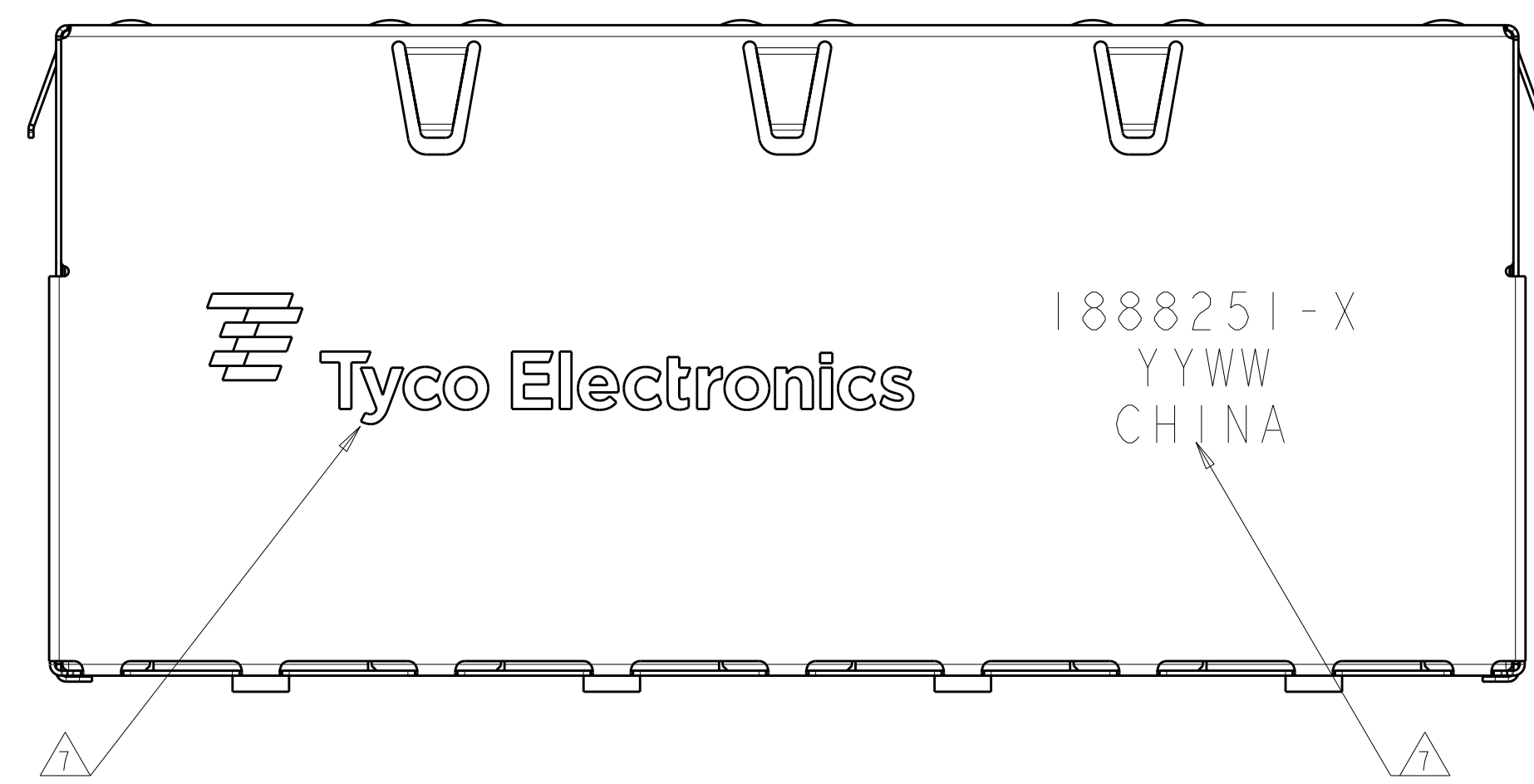
LOC	DIST	REVISIONS					
AA	00	P	LTR	DESCRIPTION	DATE	DWN	APVD
		A		RELEASED ECO-08-001854	15FEB2008	LAM	JW



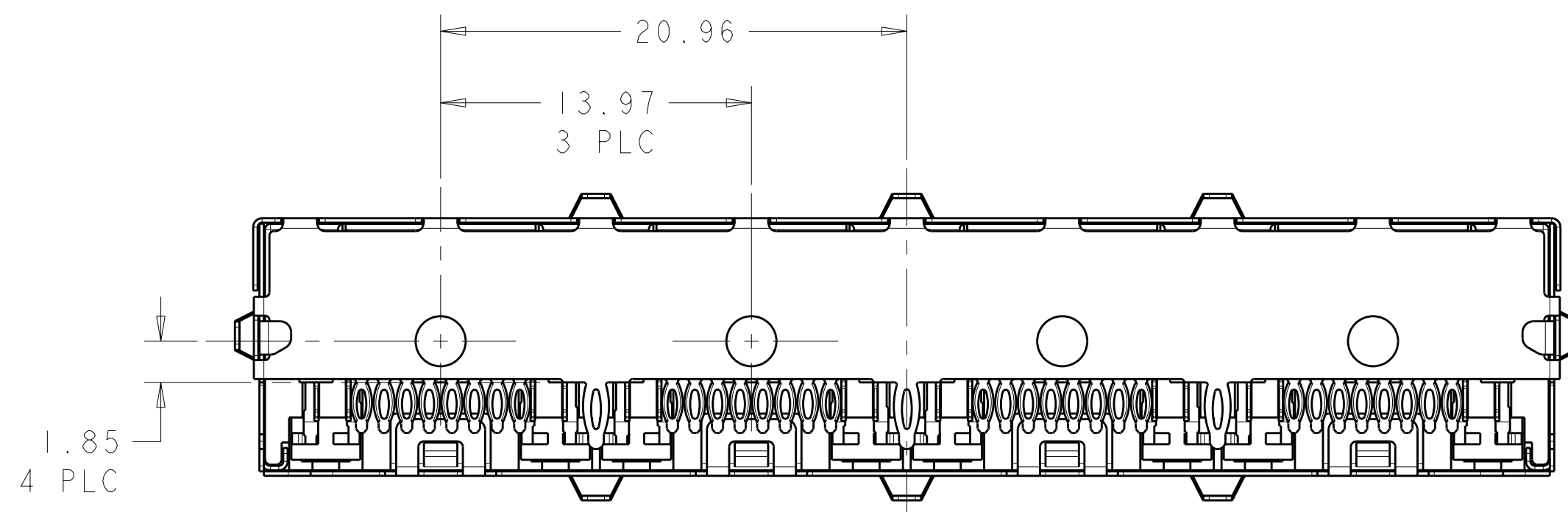
VIEW SHOWN ASSEMBLED TO PCB ONLY



DETAIL G SCALE 8:1



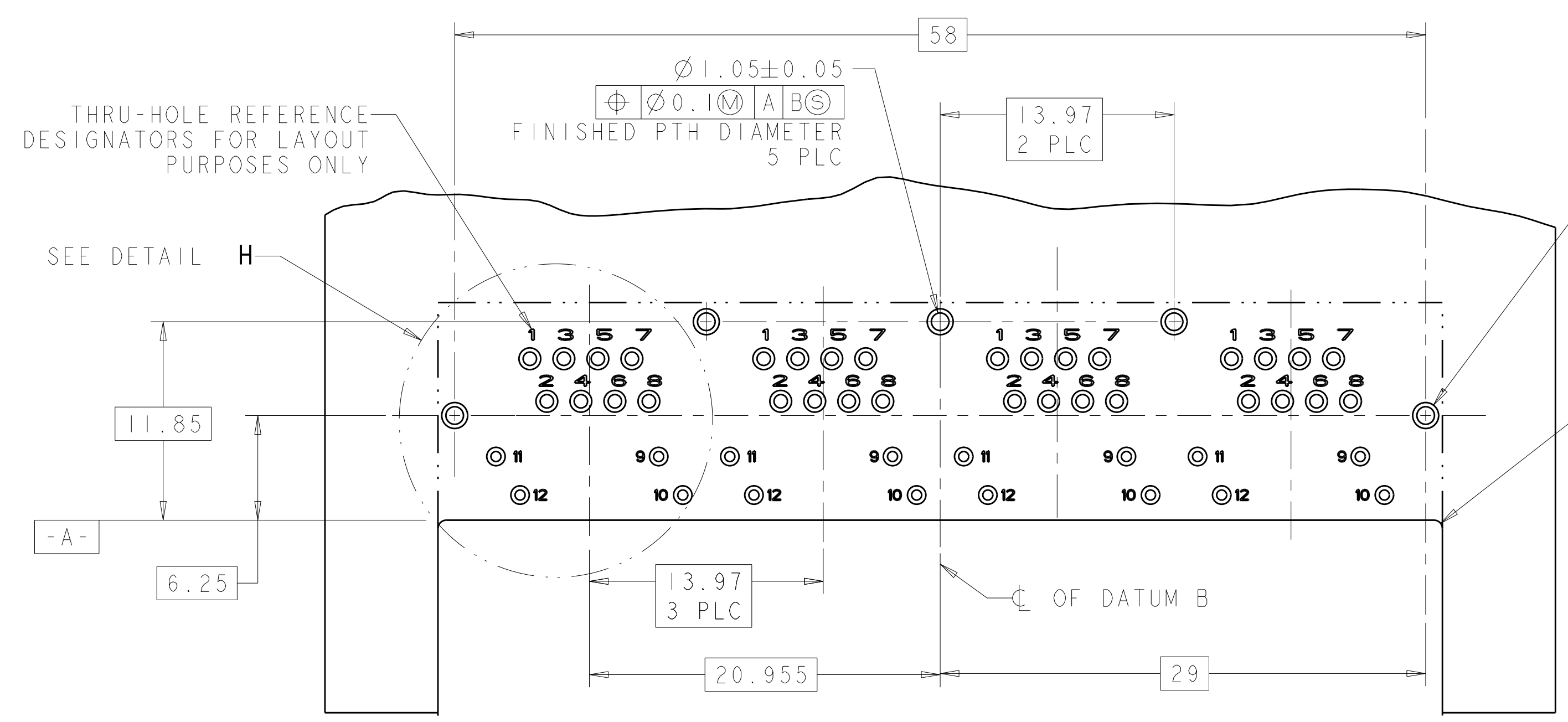
- MATERIALS:
HOUSING: BLACK THERMOPLASTIC, 94V-0.
SHIELD: COPPER ALLOY WITH 0.76µm MIN NICKEL PLATE
CONTACTS: PHOSPHOR BRONZE WITH 1.27µm MIN GOLD AT MATING INTERFACE OVER 1.27µm MIN NICKEL UNDERPLATE.
 - PERFORMANCE:
INSERTION LOSS: 0.4dB @ 100 MHz.
RETURN LOSS: 12.0dB @ 100 MHz.
CROSSTALK ATTENUATION: -43dB MINIMUM @ 100MHz
CMRR: 40.1dB @100 MHz.
 - LED'S COMPLIANT WITH IEC60825-1 SAFETY OF LASER PRODUCTS WHEN OPERATED AT CURRENT OF 20mA.
 - ALL DIMENSIONS NOMINAL.
 - RECOMMENDED MOTHERBOARD PCB THICKNESS: 1.60±0.16.
- ⚠️ RJ45 PORT CONFORMS TO FCC RULES AND REGULATIONS PART 68 SUB-PART F.
- ⚠️ TE LOGO, PART NUMBER, DATE CODE AND COUNTRY OF ORIGIN TO BE MARKED IN APPROXIMATE LOCATION SHOWN.
- ⚠️ THIS DIMENSION MEETS THE ADVANCED MEZZANINE CARD (AMC) SPECIFICATION.



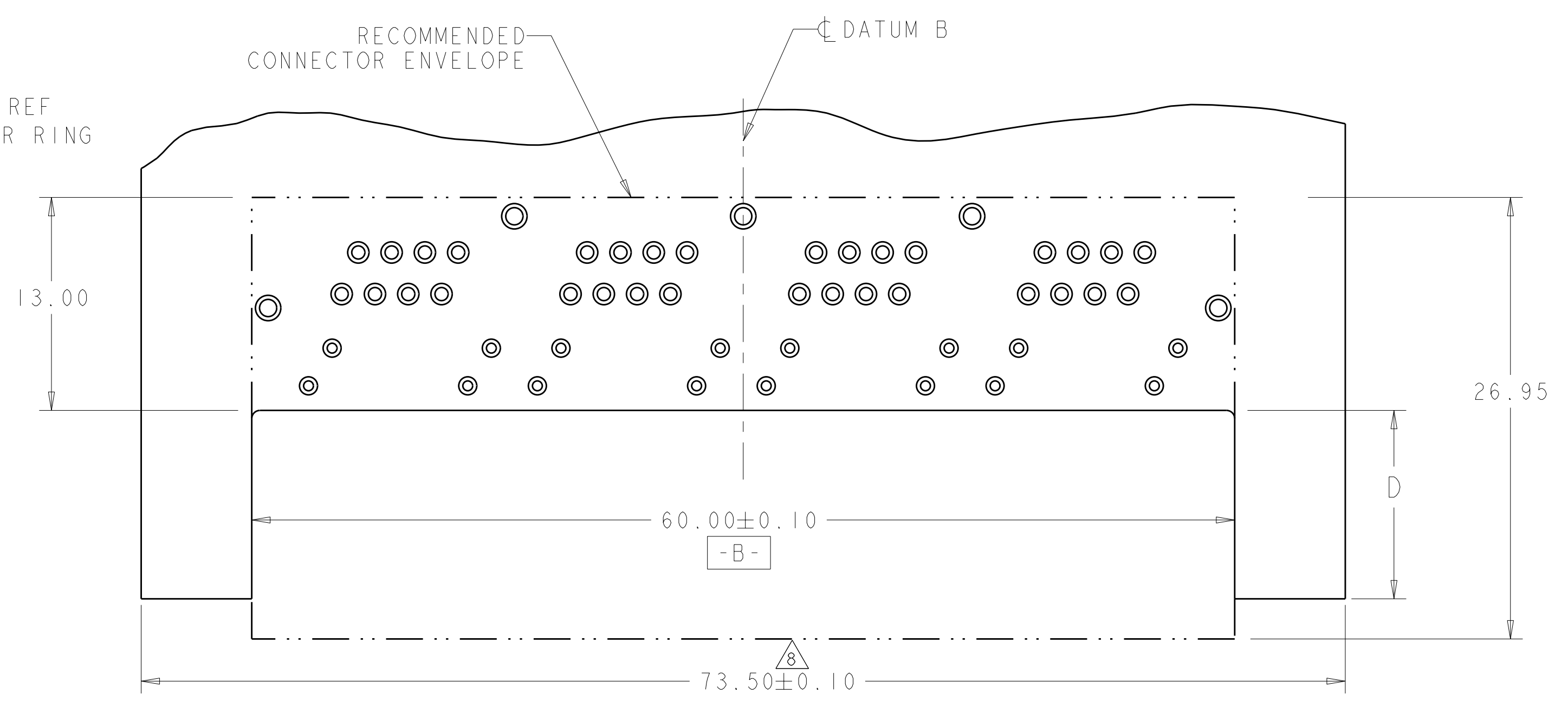
LED #1	LED #2	PART NUMBER
GREEN	GREEN	1888251-4
-	-	1888251-3
GRN/YEL	GRN/YEL	1888251-2
GREEN	YELLOW	1888251-1

DIMENSIONS: mm 		TOLERANCES UNLESS OTHERWISE SPECIFIED: 9 PLC ± 1 PLC ±0.13 5 PLC ± 4 PLC ± ANGLES ±°		DWN M.E.S./L.A.MAY'8 CHK J.WESTMAN APVD S.FLICKINGER 15FEB2008 15FEB2008		Tyco Electronics Harrisburg, PA 17105-3608	
MATERIAL SEE NOTE 1 FINISH SEE NOTE 1		PRODUCT SPEC 108-2274 APPLICATION SPEC 114-13179 WEIGHT - CUSTOMER DRAWING		NAME CONNECTOR ASSEMBLY, LOW PROFILE, PRESS FIT, MODULAR JACK, 1X4, RJ45 SIZE CAGE CODE DRAWING NO. RESTRICTED TO A1100779C=1888251		SCALE 1:1 SHEET 1 OF 3 REV A	

LOC	DIST	REV	DATE	BY	APPD
AA	00				

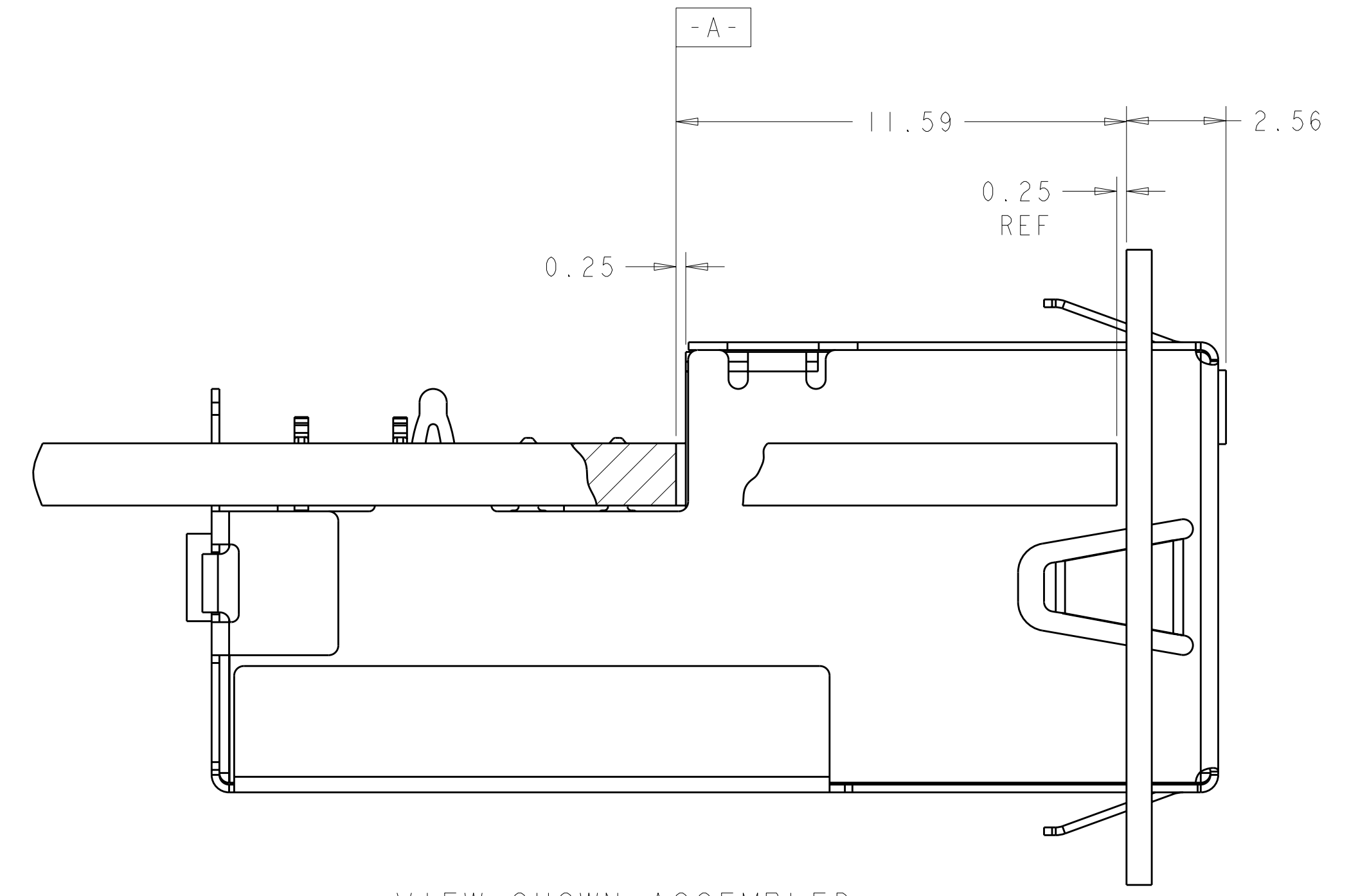


PCB SIDE 2

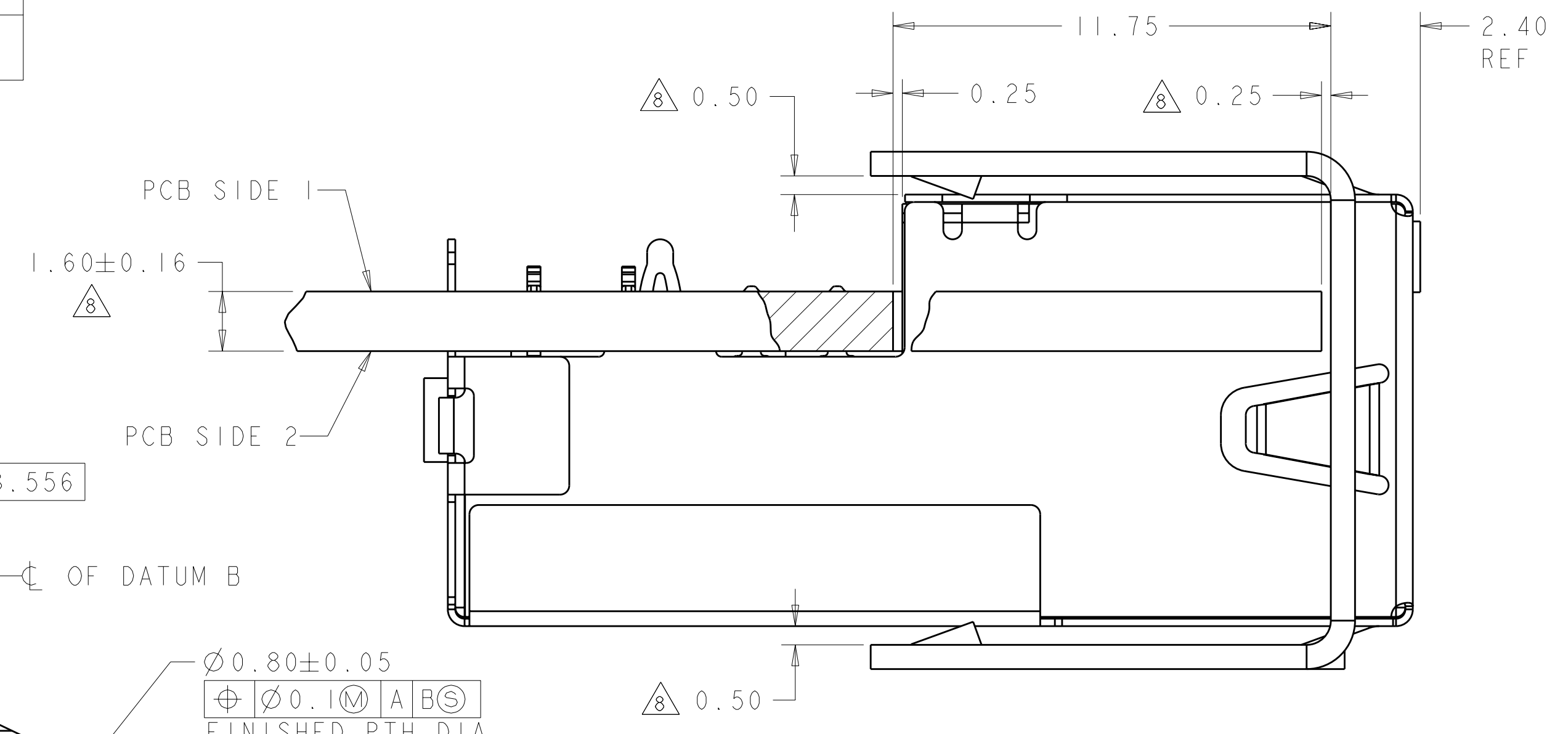


PCB SIDE 1

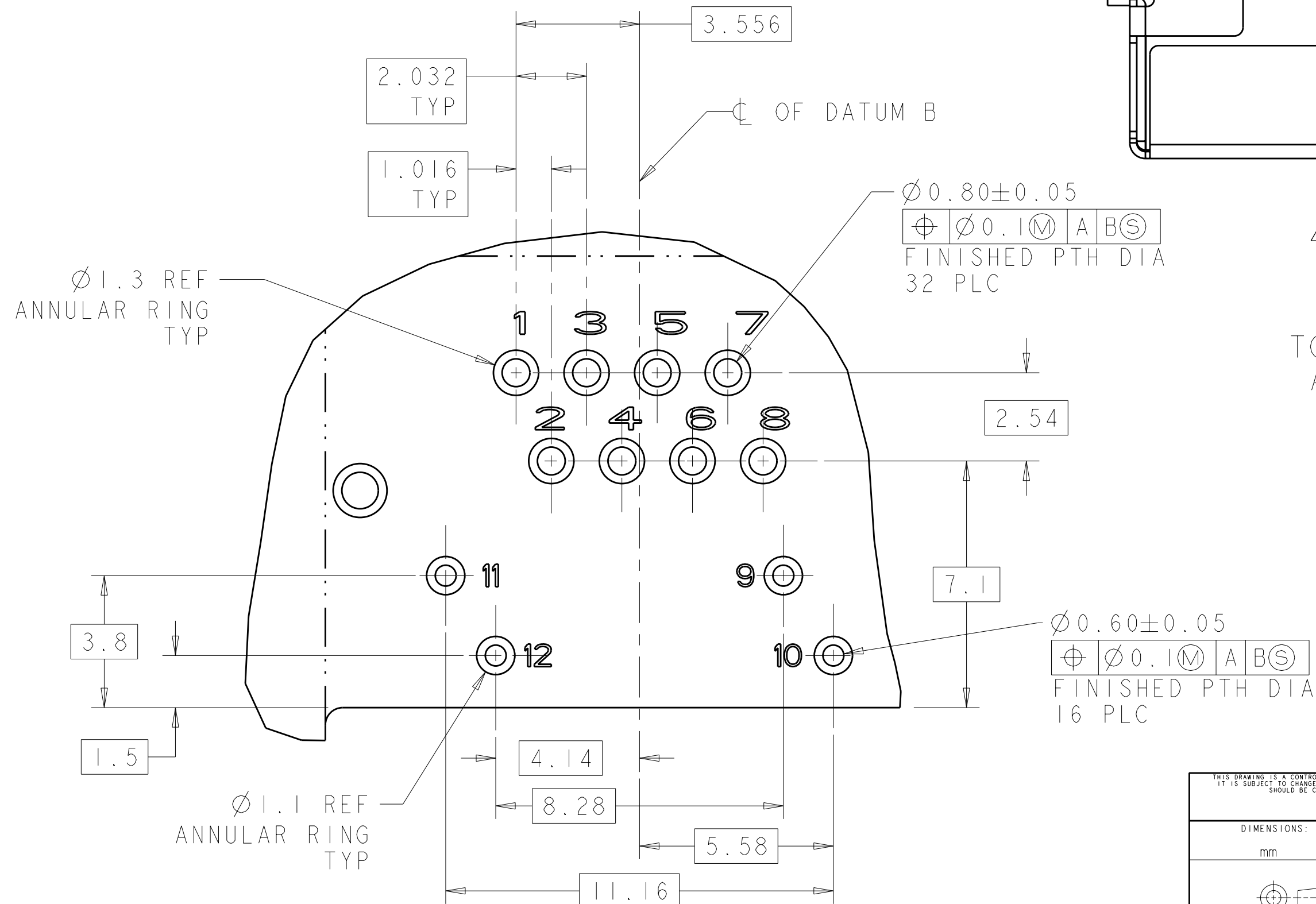
STANDARD FACE PLATE	11.34
AMC MODULE FACE PLATE	11.50
PCB CUTOUT	D



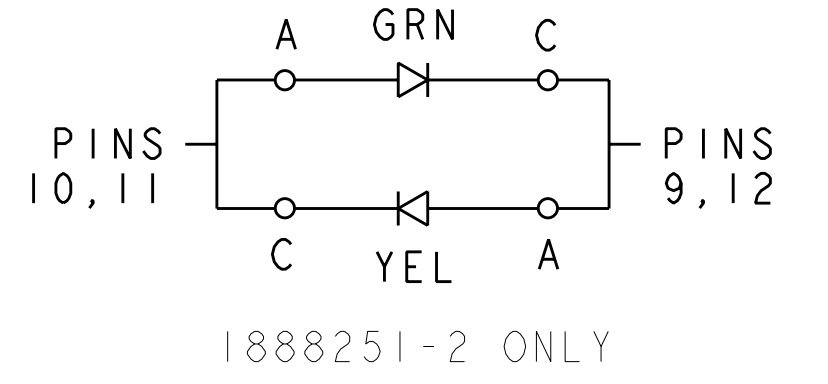
VIEW SHOWN ASSEMBLED TO PCB AND RECOMMENDED STANDARD FACE PLATE SCALE 8:1



VIEW SHOWN ASSEMBLED TO PCB AND RECOMMENDED AMC MODULE FACE PLATE SCALE 8:1



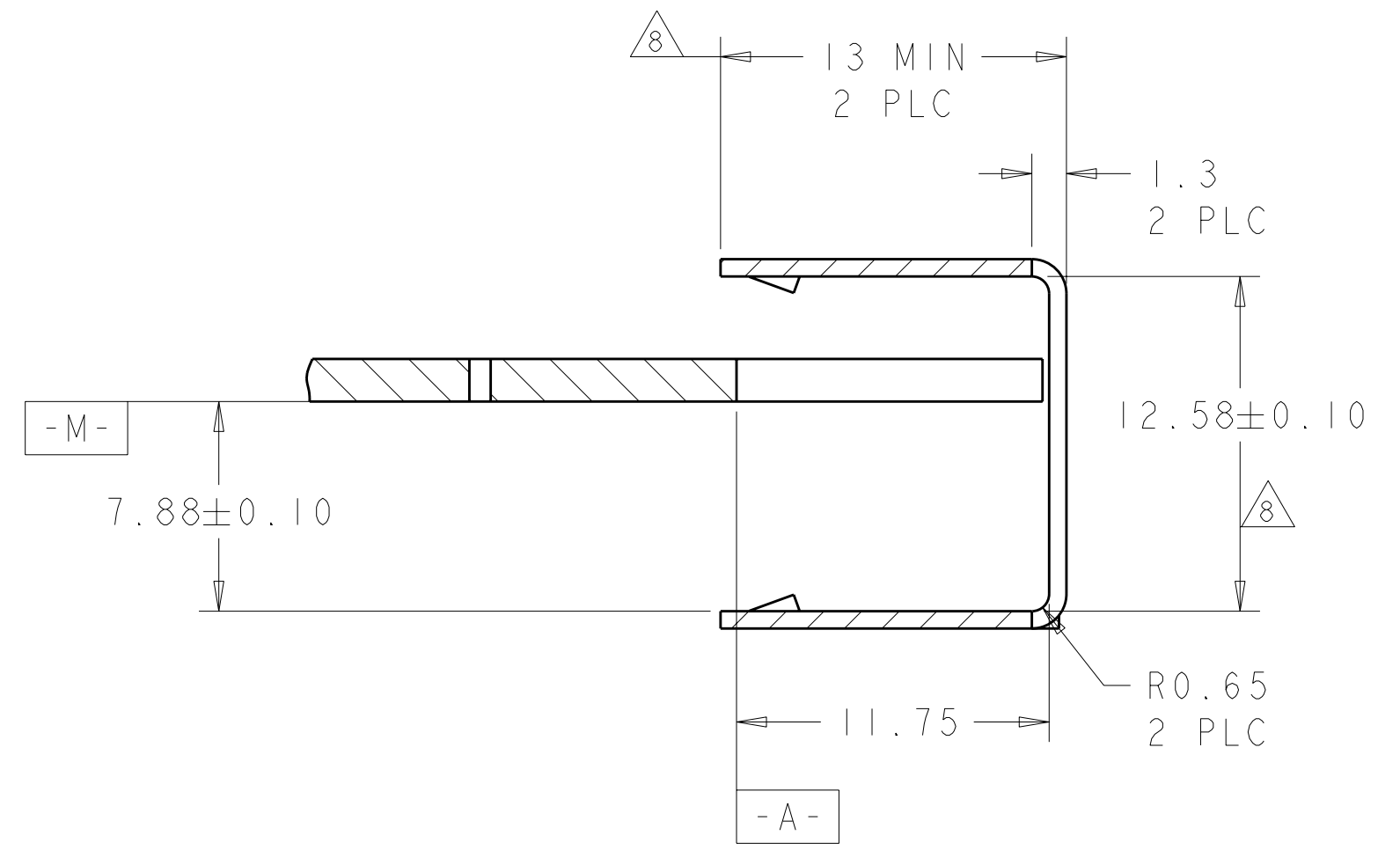
DETAIL H SCALE 8:1



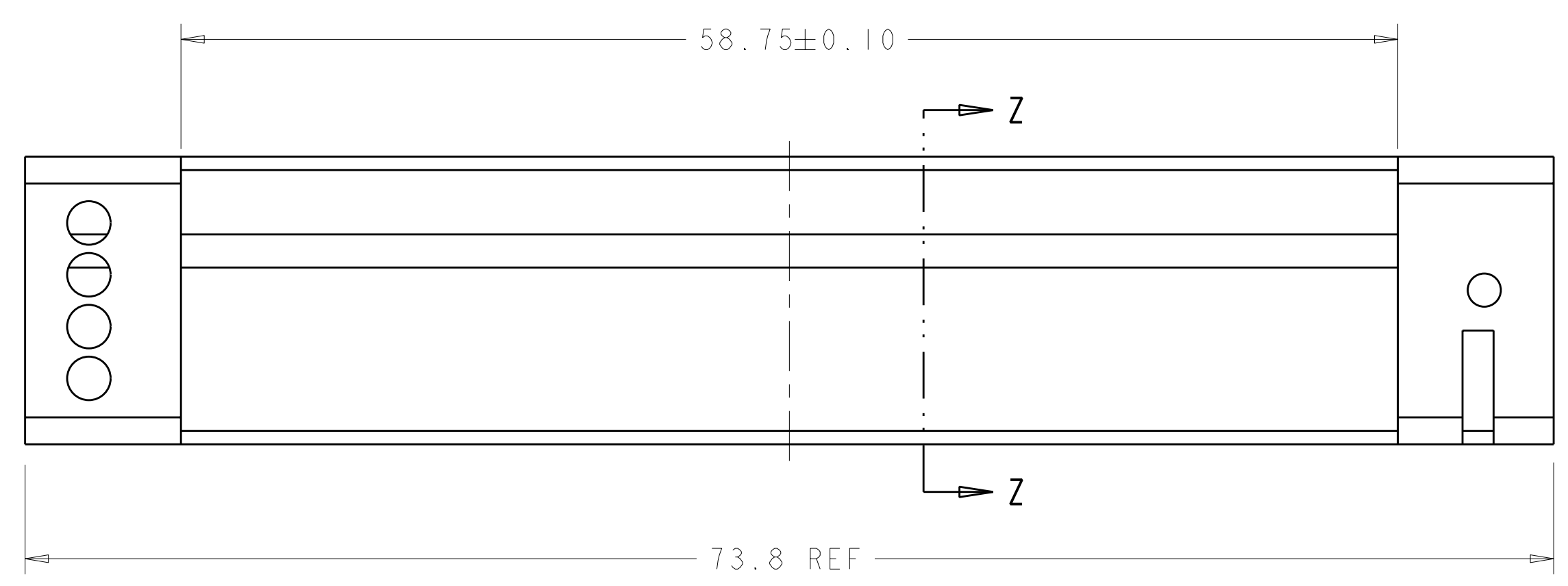
	PIN #	1888251-1	1888251-2	1888251-3	1888251-4
LED 1	9	CATHODE (-)	ANODE (YEL), CATHODE (GRN)	-	CATHODE (-)
	10	ANODE (+)	ANODE (GRN), CATHODE (YEL)	-	ANODE (+)
LED 2	11	ANODE (+)	ANODE (GRN), CATHODE (YEL)	-	ANODE (+)
	12	CATHODE (-)	ANODE (YEL), CATHODE (GRN)	-	CATHODE (-)

DIMENSIONS: mm 		TOLERANCES UNLESS OTHERWISE SPECIFIED: 9 PLC ± 5 PLC ±0.13 4 PLC ± ANGLES ±°		DWN M.E.S./L.A. MAY 08 CHK J.WESTMAN APVD S.FLICKINGER 15FEB2008 15FEB2008 PRODUCT SPEC 108-2274 APPLICATION SPEC 114-13179 WEIGHT CUSTOMER DRAWING		Tyco Electronics Harrisburg, PA 17105-3608 NAME CONNECTOR ASSEMBLY, LOW PROFILE, PRESS FIT, MODULAR JACK, 1X4, RJ45 SIZE CAGE CODE DRAWING NO A1100779C=1888251 RESTRICTED TO SCALE 4:1 SHEET 2 OF 3 REV A	
-----------------------	--	------------------------------------------------------------------------------------------	--	-----------------------------------------------------------------------------------------------------------------------------------------------------------------------------------	--	---------------------------------------------------------------------------------------------------------------------------------------------------------------------------------------------------------------------------------	--

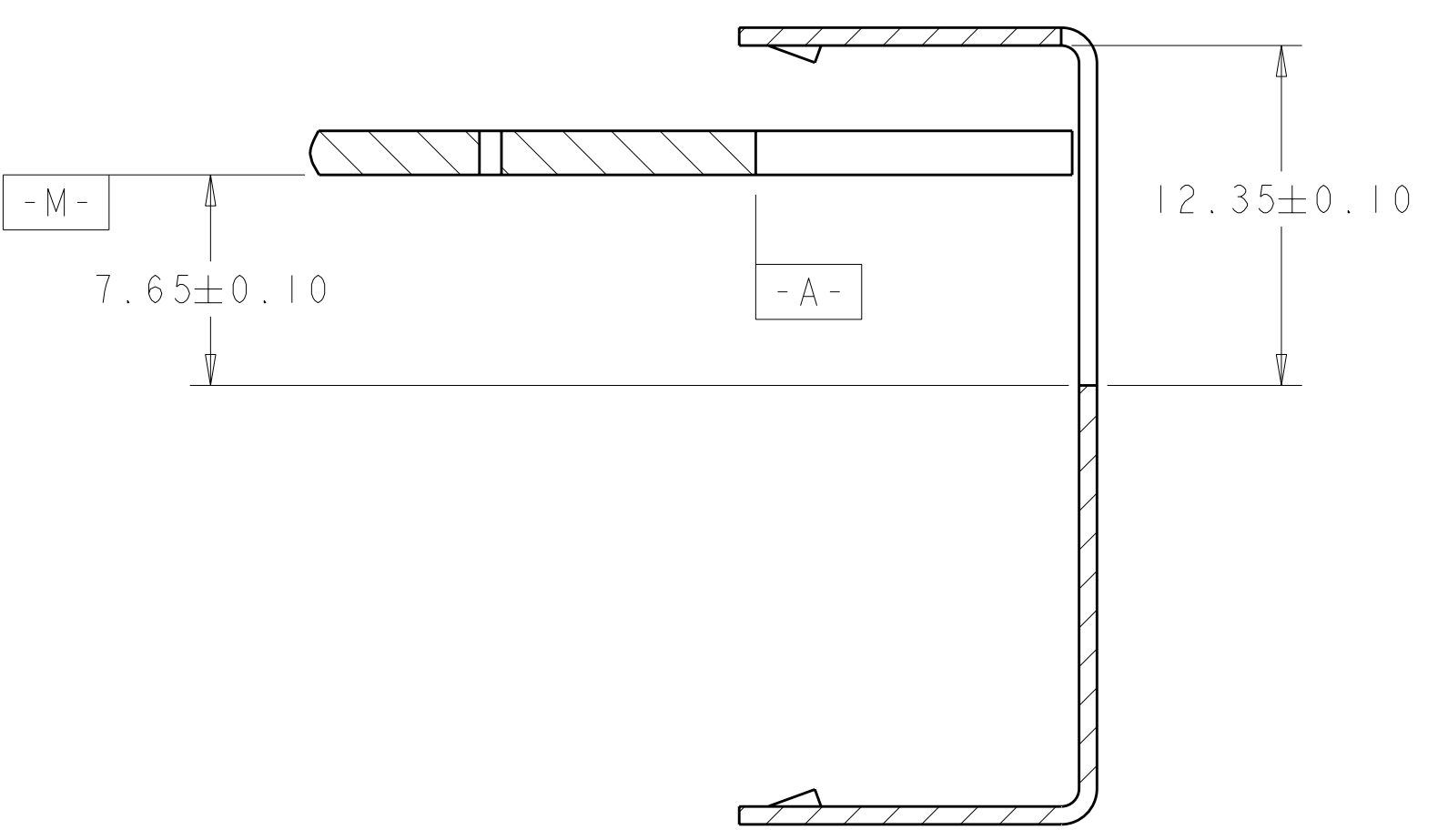
LOC	DIST	REVISIONS					
AA	00	P	LTB	DESCRIPTION	DATE	DWN	APVD
		-	-	SEE SHEET 1	-	-	-



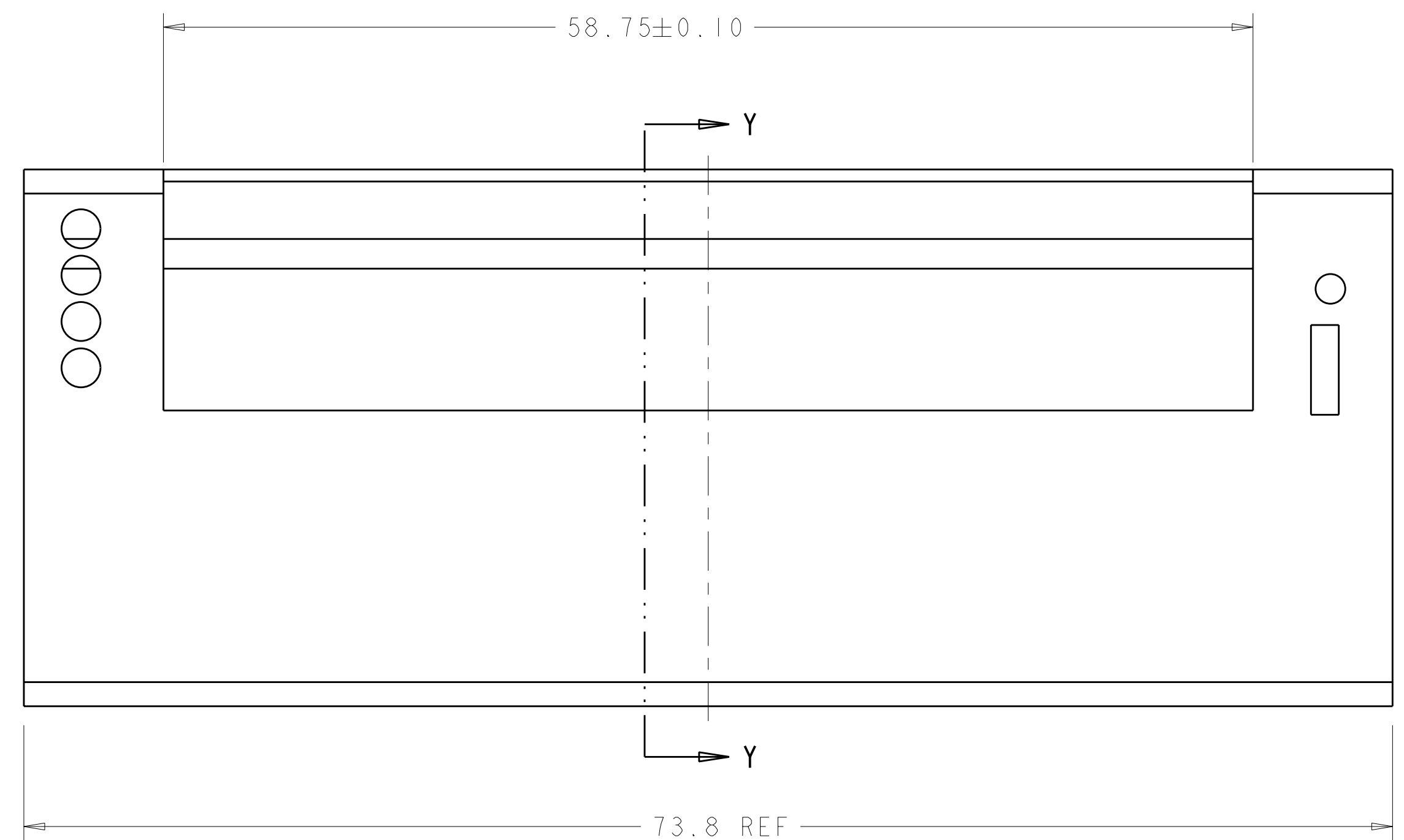
SECTION Z-Z



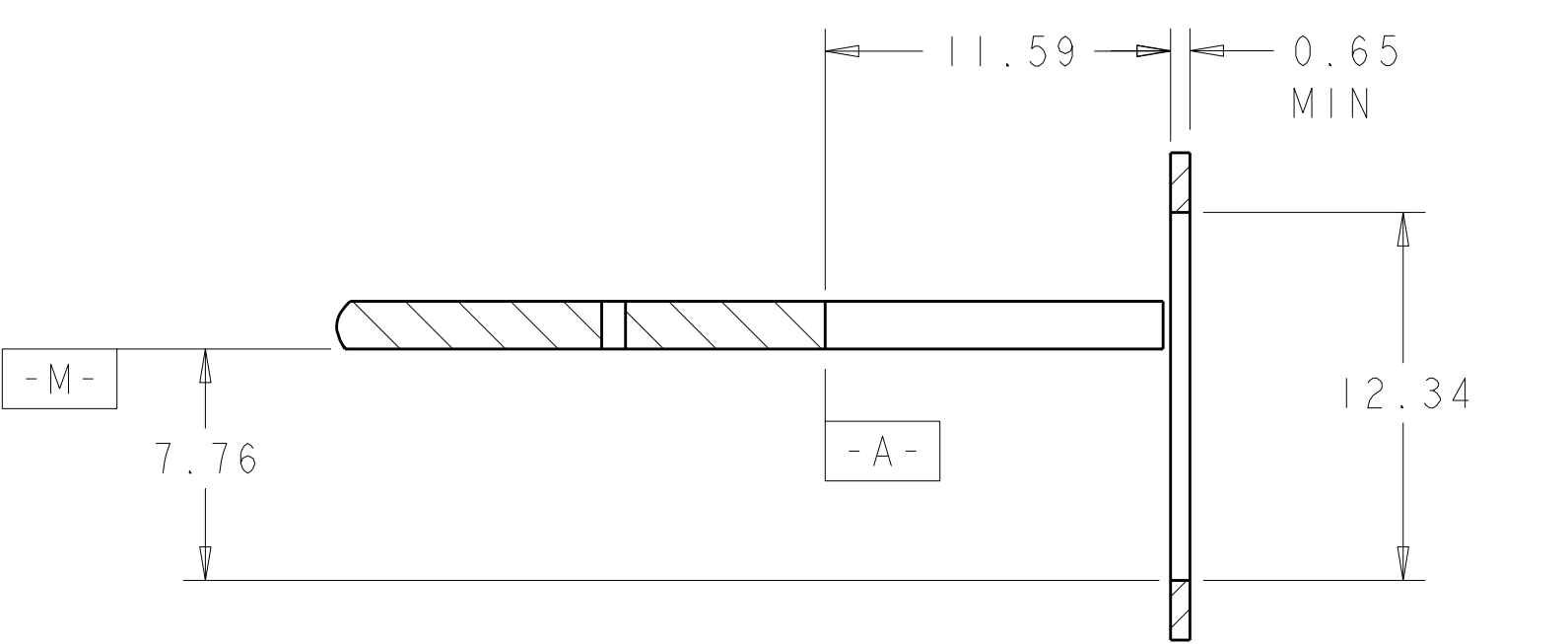
AMC SINGLE WIDTH, HALF HEIGHT MODULE FACE PLATE



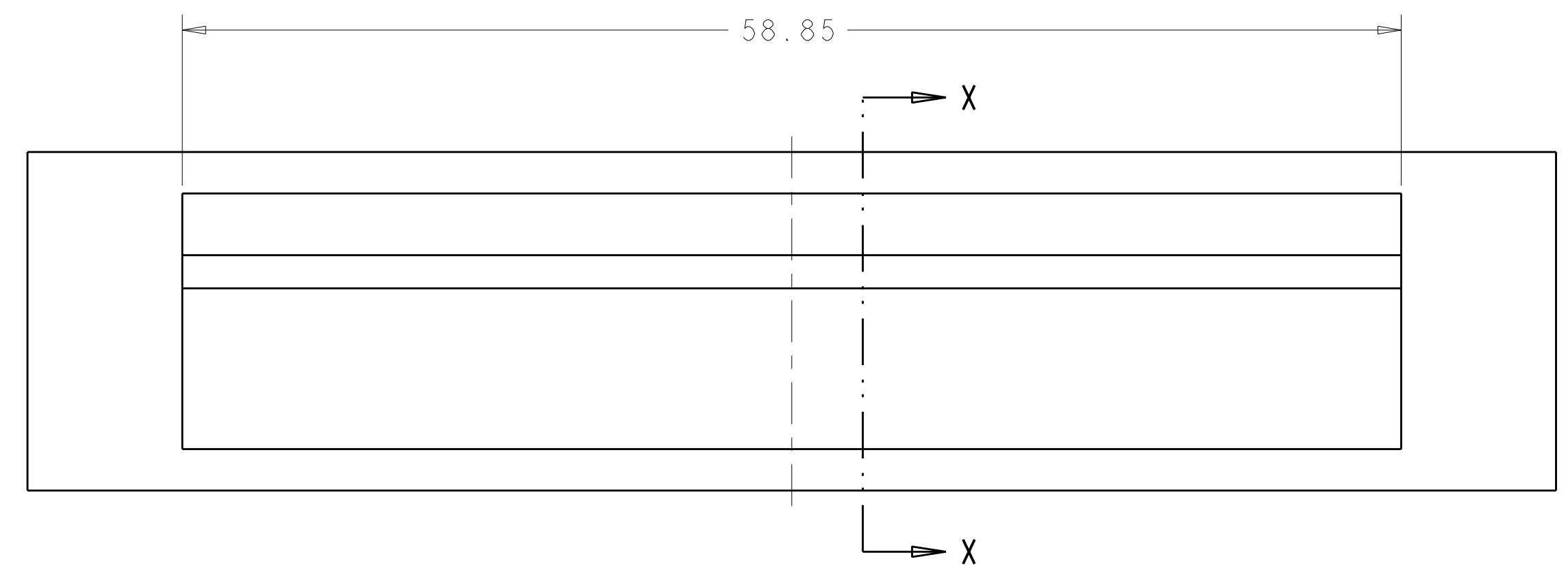
SECTION Y-Y



AMC SINGLE WIDTH, FULL HEIGHT MODULE FACE PLATE



SECTION X-X



STANDARD FACE PLATE

DIMENSIONS: mm 		TOLERANCES UNLESS OTHERWISE SPECIFIED: 0 PLC ± 1 PLC ±0.13 2 PLC ± 3 PLC ± 4 PLC ± ANGLES ±°		DWN M.E.S./L.A. MAY 08 CHK J.WESTMAN APVD S.FLICKINGER 15FEB2008 15FEB2008		Tyco Electronics Harrisburg, PA 17105-3608	
MATERIAL SEE NOTE 1 FINISH SEE NOTE 1		PRODUCT SPEC 108-2274 APPLICATION SPEC 114-13179		NAME CONNECTOR ASSEMBLY, LOW PROFILE, PRESS FIT, MODULAR JACK, 1X4, RJ45		SIZE CAGE CODE DRAWING NO. RESTRICTED TO A 100779 C-1888251	
CUSTOMER DRAWING				SCALE 4:1		SHEET 3 OF 3 REV A	